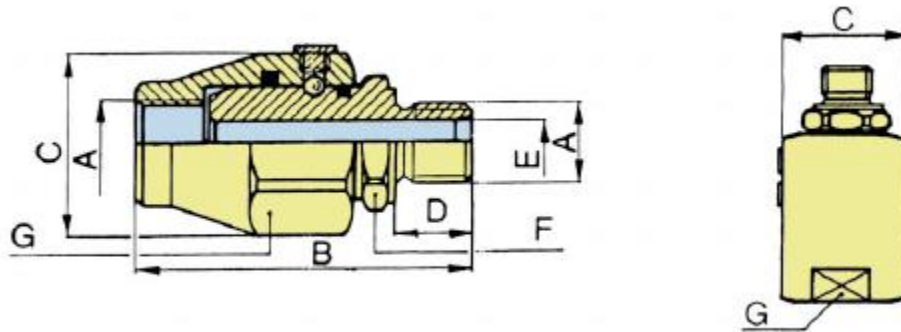


## SERIES SJ 10

## Straight swivel joints



### DIMENSIONS

CODE	A		B		C		D		E		F		G		Max pressure in rotation		Static max pressure	
	mm	inch	mm	inch	mm	inch	mm	inch	mm	inch	mm	inch	mm	inch	bar	psi	bar	psi
SJ 10-04	1/4"	61	2,4	33	1,3	11	0,43	6,5	0,25	CH19	0,74	CH30	1,2	200	2900	400	5800	
SJ 10-06	3/8"	66	2,6	37	1,85	14	0,55	9	0,35	CH24	0,94	CH34	1,34	200	2900	400	5800	
SJ 10-08	1/2"	70	2,75	42	1,65	15	0,59	12	0,47	CH27	1,06	CH36	1,41	150	2175	300	4350	
SJ 10-12	3/4"	79	3,1	50	1,9	19	0,75	16	0,63	CH34	1,34	CH45	1,77	150	2175	300	4350	
SJ 10-16	1"	90	3,5	55	2,16	21	0,82	20	0,78	CH41	1,6	CH50	1,97	100	1450	300	4350	
SJ 10-20	1".1/4"	101	3,9	60	2,36	24	0,94	28	1,1	CH50	1,96	CH55	2,16	100	1450	300	4350	
SJ 10-24	1.1/2"	110	4,3	70	2,75	25	0,98	34	1,34	CH55	2,1	CH65	2,56	80	1160	300	4350	
SJ 10-32	2"	118	4,6	85	3,34	27	1,06	44	1,73	CH65	2,55	CH75	2,56	50	725	250	3625	
SJ 10-40	2.1/2"	138	5,4	98	3,85	30	1,18	58	2,28	CH80	3,15	CH90	2,95	50	725	250	3625	

\* Other threads available on request

### MAIN DATA:

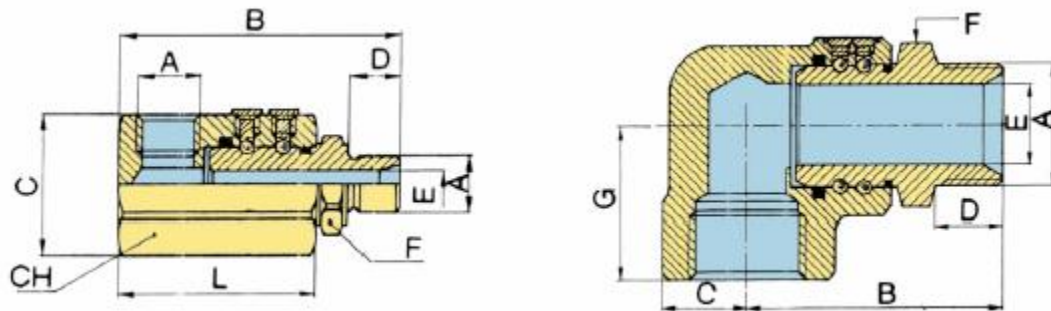
The series SJ 10 swivel joints are designed to be mounted between a hose assembly and a rigid component in order to allow and compensate occasional rotations, preventing hose damages. The swivel joint rotation is based on one or two rows of radial balls (one row up to size 1/2" included).

- Standard seals in nitril rubber
- Working temperatures with standard seals: -20°C/+110°C
- Standard thread: BSP (GAS)
- Special materials on request: AISI 303, AISI 316, Brass
- Special seals on request: Viton, EPDM, Silicone
- Special thread on request: NPTF, Metric, UNF

Important: SJ 10 series is not suitable for continuous or fast rotation.

## SERIES SJ 90

## 90° swivel joints



### DIMENSIONS

CODE	A	B		C		D		E		F		G		CH		Max pressure in rotation		Static max pressure	
		mm	inch	mm	inch	mm	inch	mm	inch	mm	inch	mm	inch	mm	inch	bar	psi	bar	psi
SJ90-04	1/4"	69	2,71	30,5	1,2	11	0,43	6,5	0,25	CH19	0,75	58	2,3	30	1,18	200	2900	400	5800
SJ90-06	3/8"	78	3,1	41,5	1,63	14	0,55	9	0,35	CH24	0,94	63	2,5	36	1,42	200	2900	400	5800
SJ90-08	1/2"	86	3,38	44	1,73	15	0,6	12	0,47	CH27	1,06	68,5	2,7	38	1,5	150	2175	300	4350
SJ90-12	3/4"	99	3,9	58	2,3	19	0,75	16	0,63	CH34	1,34	79	3,11	50	1,97	150	2175	300	4350
SJ90-16	1"	113	4,45	60	2,36	21	0,82	20	0,78	CH41	1,61	90	3,54	60	2,36	100	1450	300	4350
SJ90-20	1".1/4"	92	3,62	31,5	1,24	24	0,94	28	1,1	CH50	1,97	56,5	2,22			100	1450	300	4350
SJ90-24	1.1/2"	104	4,1	38	1,5	25	0,98	34	1,34	CH55	2,16	62	2,44			80	1160	300	4350
SJ90-32	2"	111	4,37	45	1,77	27	1,06	44	1,73	CH65	2,56	67	2,63			50	725	250	3625
SJ90-40	2.1/2"	135	5,31	55	2,16	30	1,18	58	2,28	CH80	3,15	83	3,26			50	725	250	3625

\* Other threads available on request

### MAIN DATA:

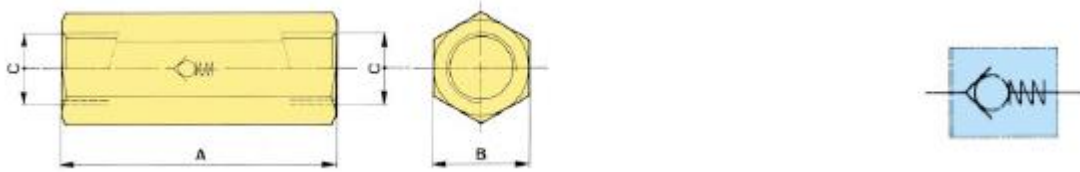
The series SJ 90 swivel joints are designed to be mounted between a hose assembly and a rigid component in order to allow and compensate occasional rotations, preventing hose damages. The swivel joint rotation is based on one or two rows of radial balls (one row up to size 1/2" included).

- Standard seals in nitril rubber
- Working temperatures with standard seals: -20°C/+ 110°C
- Standard thread: BSP (GAS)
- Special materials on request: AISI 303, AISI 316, Brass
- Special seals on request: Viton, EPDM, Silicone
- Special thread on request: NPTF, Metric, UNF

Important: SJ 90 series is not suitable for continuous or fast rotation.

## SERIES CV

### In line check valve



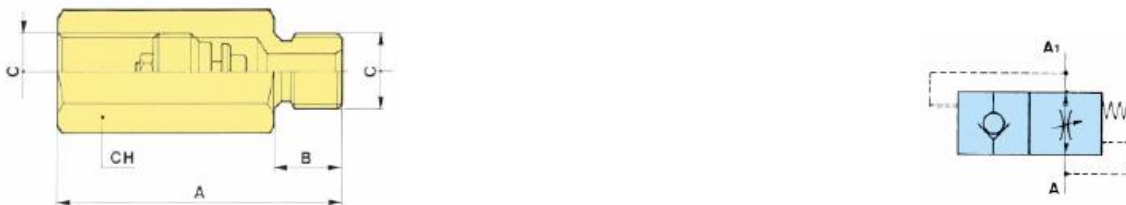
#### DIMENSIONS

CODE	C*	Max flow l/min	Max pressure		A		B	
			bar	psi	mm	in	mm	in
CV-04	1/4"	13	350	5000	60	2,36	19	0,75
CV-06	3/8"	25	350	5000	70	2,76	24	0,94
CV-08	1/2"	40	350	5000	76	2,99	30	1,18
CV-12	3/4"	60	300	4300	92	3,62	36	1,42
CV-16	1"	90	250	3600	108	4,25	45	1,77
CV-20	1.1/4"	160	250	3600	127	5	55	2,17
CV-24	1.1/2"	210	250	3600	142	5,59	65	2,56

\* Standard thread is BSP (GAS). Available threads on request: metric, NPTF, SAE and UNF.

## SERIES VPCC

### Burst hose valve



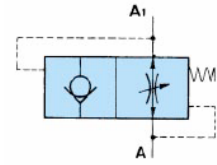
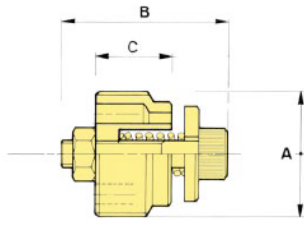
#### DIMENSIONS

CODE	C*	B		CH		A	
		mm	in	mm	in	mm	in
VPCC-04	1/4"	13	0,51	19	0,75	53	2,09
VPCC-06	3/8"	13	0,51	22	0,87	55	2,17
VPCC-08	1/2"	14	0,55	27	1,06	64	2,52
VPCC-12	3/4"	15	0,59	36	1,42	67	2,64

\* Standard thread is BSP (GAS). Available threads on request: metric, NPTF, SAE and UNF.

## SERIES CVP

### Burst hose cartridge valve



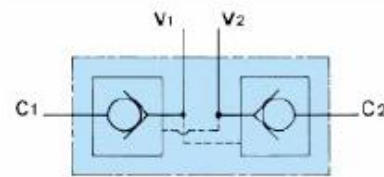
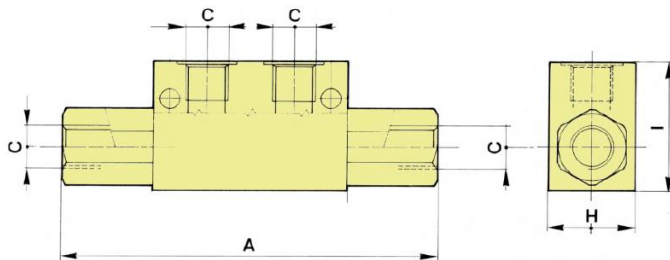
#### DIMENSIONS

CODE	A*	B		C	
		mm	in	mm	in
CVP-04	1/4"	19	0,45	8	0,31
CVP-06	3/8"	23	0,91	10,5	0,41
CVP-08	1/2"	29	1,14	13	0,51
CVP-12	3/4"	34	1,34	18	0,71

\* Standard thread is BSP (GAS). Available threads on request: metric, NPTF, SAE and UNF.

## SERIES DPC

### Double pilot operated check valve



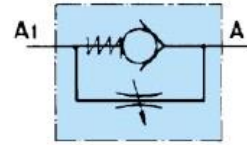
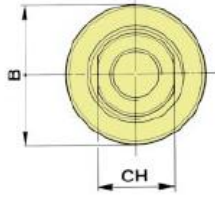
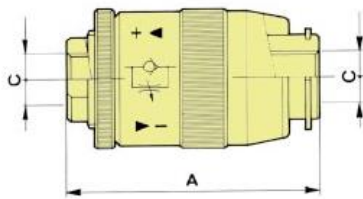
#### DIMENSIONS

CODE	C*	Max flow l/min	Max pressure		A		I		H	
			bar	psi	mm	in	mm	in	mm	in
DPC-04	1/4"	12	350	5000	126	4,96	45	1,77	30	1,18
DPCX-06	3/8"	20	350	5000	126	4,96	45	1,77	30	1,18
DPC-06	3/8"	30	350	5000	158	6,22	60	2,36	40	1,57
DPC-08	1/2"	45	350	5000	174	6,85	60	2,36	40	1,57
DPC-12	3/4"	85	300	4350	212	8,35	70	2,76	50	1,97

\* Standard thread is BSP (GAS). Available threads on request: metric, NPTF, SAE and UNF.

## SERIES VSU

### Throttle valve



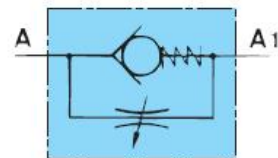
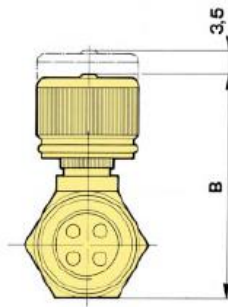
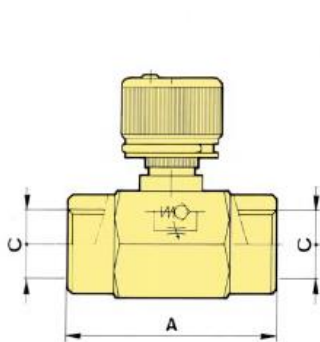
#### DIMENSIONS

CODE	C*	Max flow		Max pressure		A		B		CH	
		l/min	bar	psi	mm	in	mm	in	mm	in	
VSU-04	1/4"	12	350	5000	62	2,44	34	1,34	19	0,75	
VSU-06	3/8"	30	350	5000	72	2,83	40	1,57	24	0,94	
VSU-08	1/2"	45	350	5000	80	3,15	46	1,81	30	1,18	
VSU-12	3/4"	85	300	4350	100	3,94	54	2,13	36	1,42	
VSU-16	1"	100	300	4350	115	4,53	66	2,6	41	1,61	
VSU-20	1.1/4"	150	250	3600	135	5,31	82	3,23	55	2,17	
VSU-24	1.1/2"	220	250	3600	150	5,91	93	3,66	60	2,36	

\* Standard thread is BSP (GAS). Available threads on request: metric, NPTF, SAE and UNF.

## SERIES VRX

### Uni-directional flow regulator



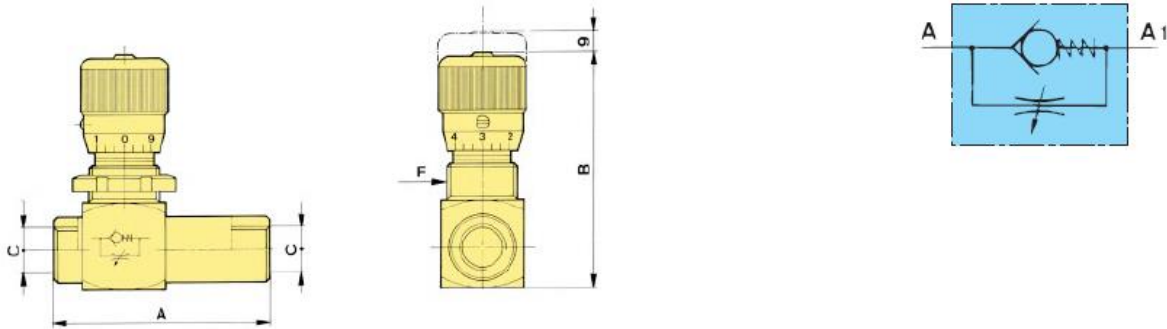
#### DIMENSIONS

CODE	C*	Max flow		Max pressure		A		B	
		l/min	bar	psi	mm	in	mm	in	
VRX-04	1/4"	12	300	4350	54	2,13	64	2,52	
VRX-06	3/8"	25	300	4350	62	2,44	64	2,52	
VRX-08	1/2"	40	280	4000	62	2,44	64	2,52	

\* Standard thread is BSP (GAS). Available threads on request: metric, NPTF, SAE and UNF.

## SERIES VRU

### Uni-directional flow regulator



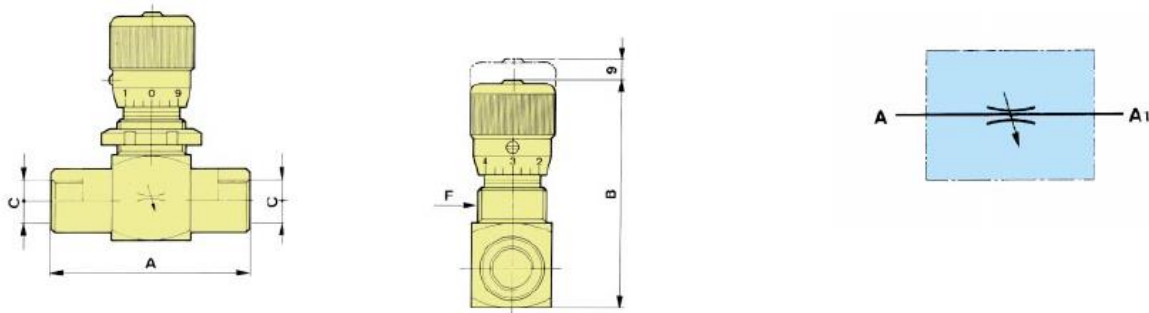
#### DIMENSIONS

CODE	C*	Max flow		Max pressure		A		B		F
		l/min	bar	psi	mm	in	mm	in		
VRU-04	1/4"	12	350	5000	72	2,83	80	3,15	M20x1	
VRU-06	3/8"	30	350	5000	78	3,07	85	3,35	M25x1,5	
VRU-08	1/2"	45	350	5000	92	3,62	92	3,62	M30x1,5	
VRU-12	3/4"	85	300	4350	106	4,17	105	4,13	M35x1,5	

\* Standard thread is BSP (GAS). Available threads on request: metric, NPTF, SAE and UNF.

## SERIES VRB

### Bi-directional flow regulator



#### DIMENSIONS

CODE	C*	Max flow		Max pressure		A		B		F
		l/min	bar	psi	mm	in	mm	in		
VRB-04	1/4"	12	350	5000	45	1,77	80	3,15	M20x1	
VRB-06	3/8"	30	350	5000	52	2,05	85	3,35	M25x1,5	
VRB-08	1/2"	45	350	5000	60	2,36	92	3,62	M30x1,5	
VRB-12	3/4"	85	300	4350	68	2,68	105	4,13	M35x1,5	

\* Standard thread is BSP (GAS). Available threads on request: metric, NPTF, SAE and UNF.